

ASSEMBLY INSTRUCTION

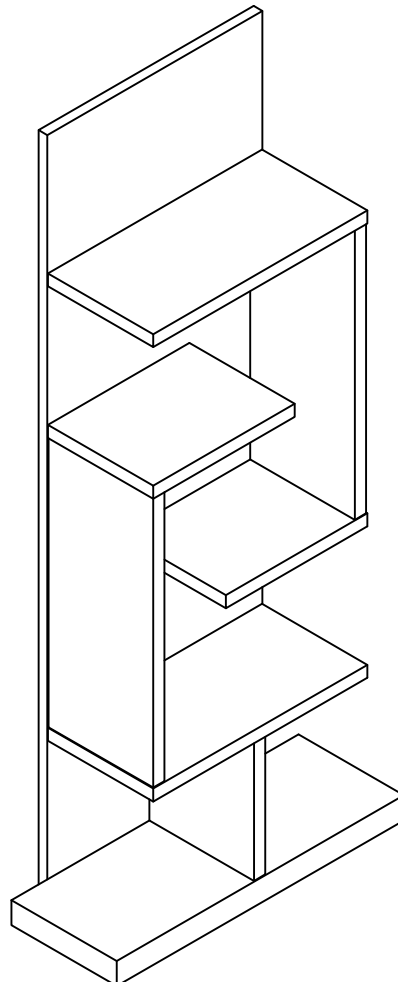
PLEASE READ BEFORE ASSEMBLING!

Tip #1: Make sure you've taken all the pieces and hardware out of its packaging before discarding the box.

Tip #2: Using page 2 and/or page 3 of instruction manual make sure all pieces and hardware are accounted for.

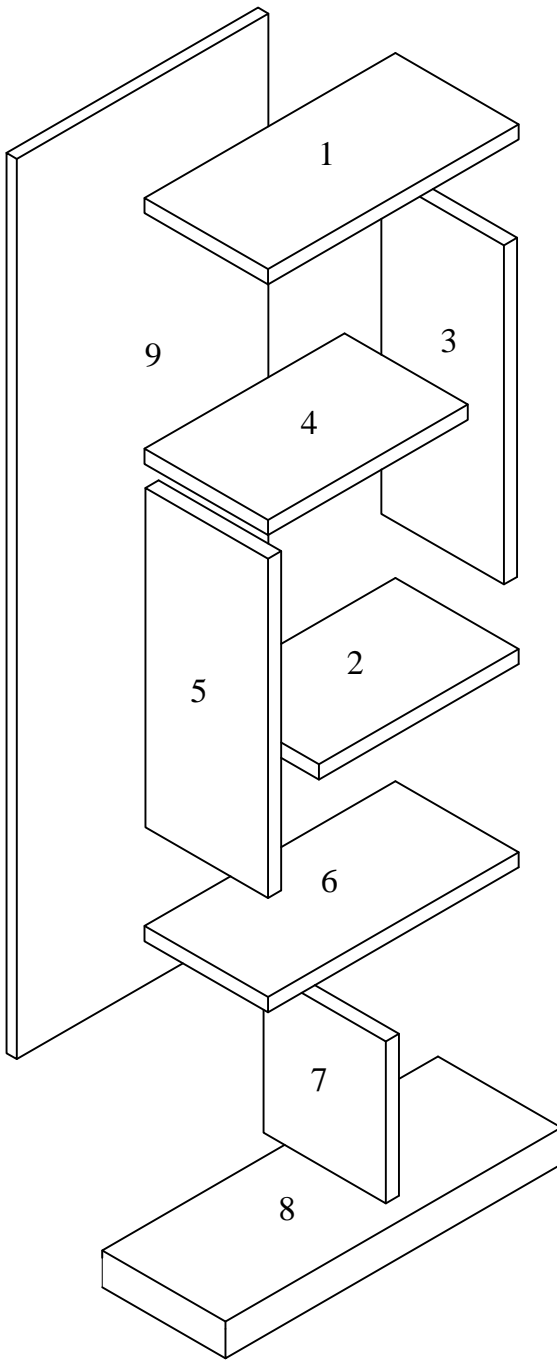
Tip #3: Read manual before assembling, it helps!

ITEM#: 151263



PARTS IDENTIFICATION





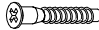
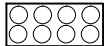





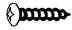

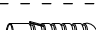

ITEM#: 151263

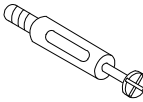

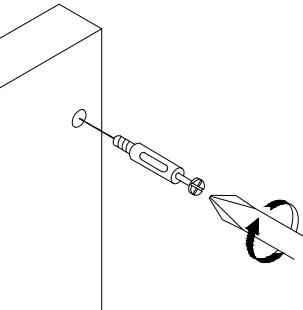
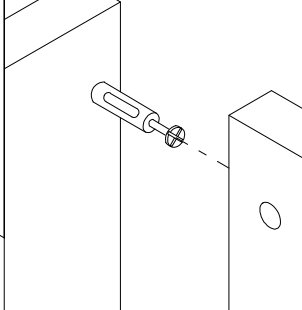
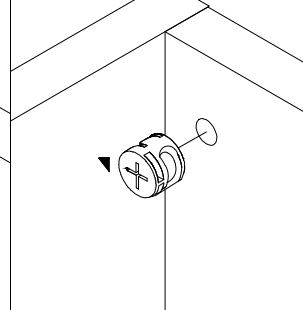
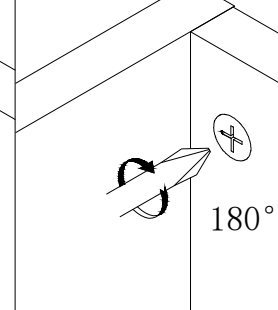


(1)	1pc	(7)	1pc
(2)	1pc	(8)	1pc
(3)	1pc	(9)	1pc
(4)	1pc		
(5)	1pc		
(6)	1pc		

HARDWARE IDENTIFICATION

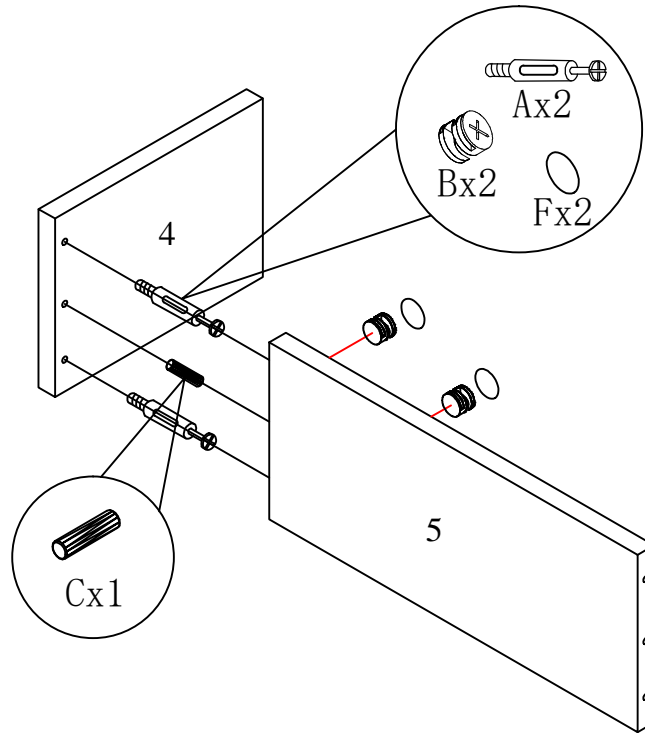
ITEM#: 151263

A		L29	6pcs
B		∅15	6pcs
C		∅8x25	19pcs
D		∅7x58	20pcs
E		∅7x68	2pcs
F		∅20	6pcs
G		M6x30	3pcs
H		∅16	6pcs
I		∅8x16x2	25pc
J		197×5×1	1pc
K		12×12×1	2pcs
L		∅4X25	1pc
M		∅5X40	1pc
N		∅8X40	1pc
O		Glue: For securing please apply to wood dowel first before inserting into panel	1pc

<p>HOW TO</p>  <p>Cam Bolt</p>  <p>Cam Lock</p>	1	2	3	4
	 <p>1. Screw Cam Bolt into panel.</p>	 <p>2. Insert Cam Bolt into bolt hole of joining panel.</p>	 <p>3. Insert Cam Lock. arrow facing bolt.</p>	 <p>4. Gently turn Cam Lock clockwise to lock position.</p>

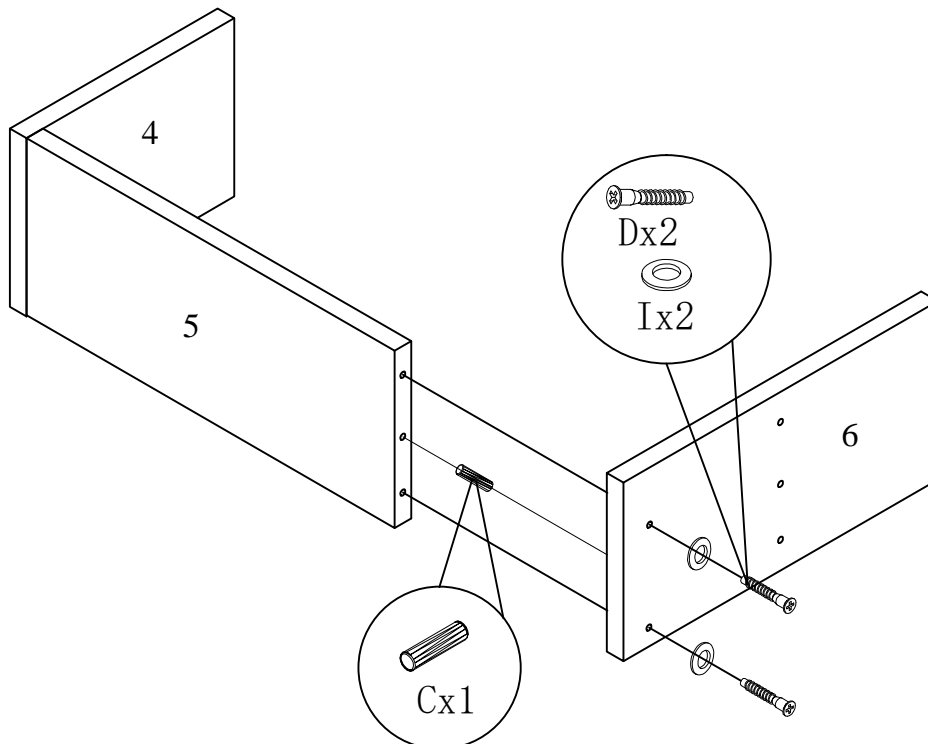
ASSEMBLY INSTRUCTION

ITEM#: 151263



STEP3

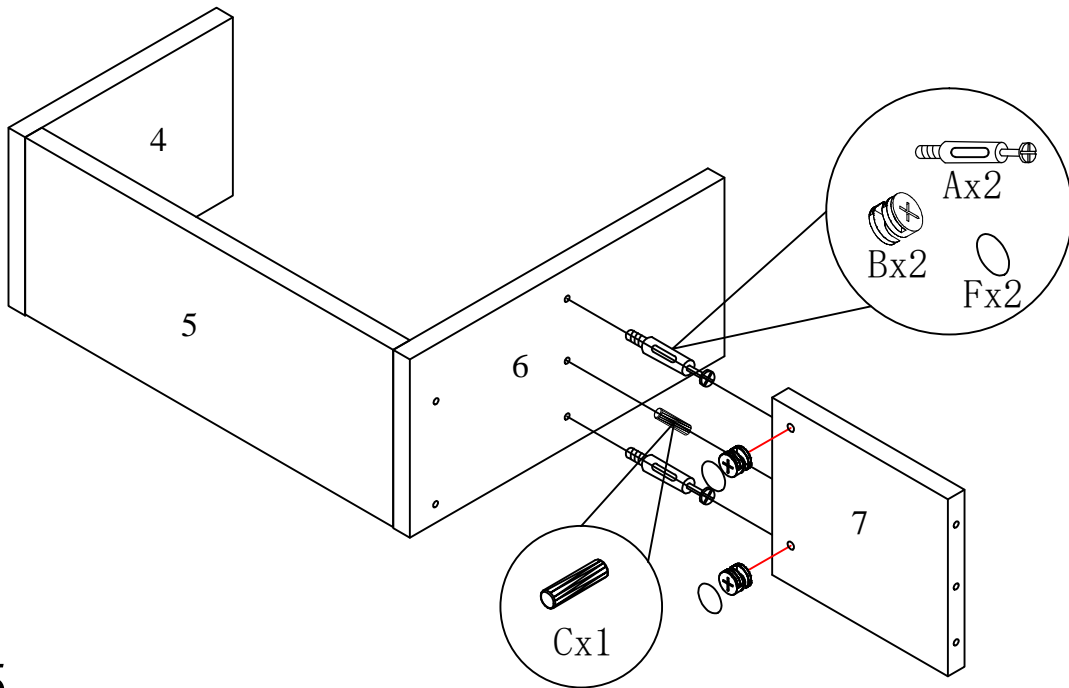
STEP4



PAGE: 5 OF 7

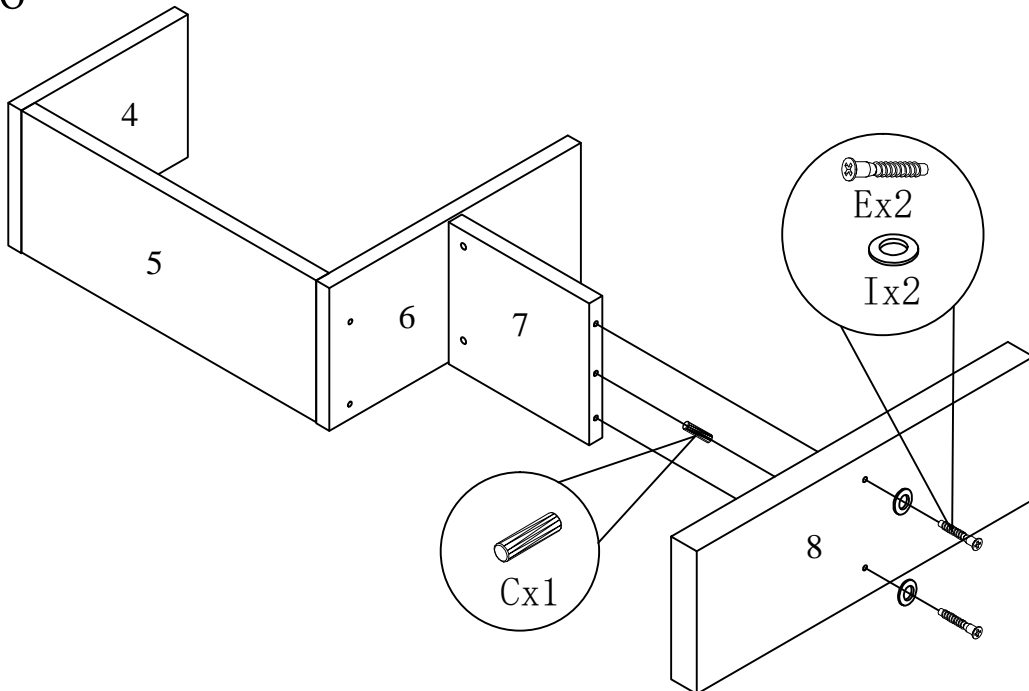
ASSEMBLY INSTRUCTION

ITEM#: 151263



STEP5

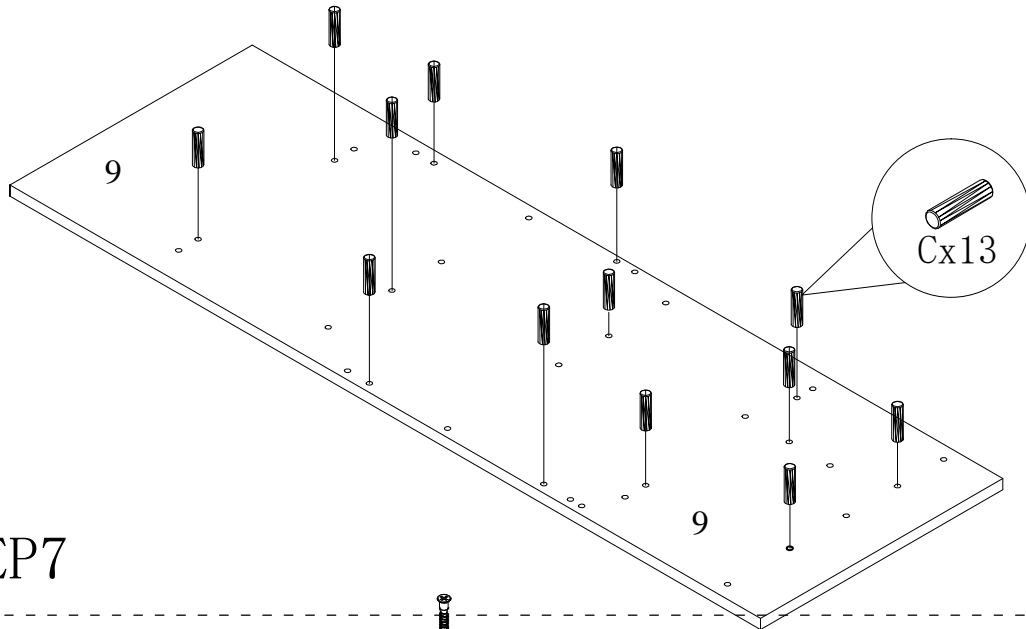
STEP6



PAGE:6 OF 7

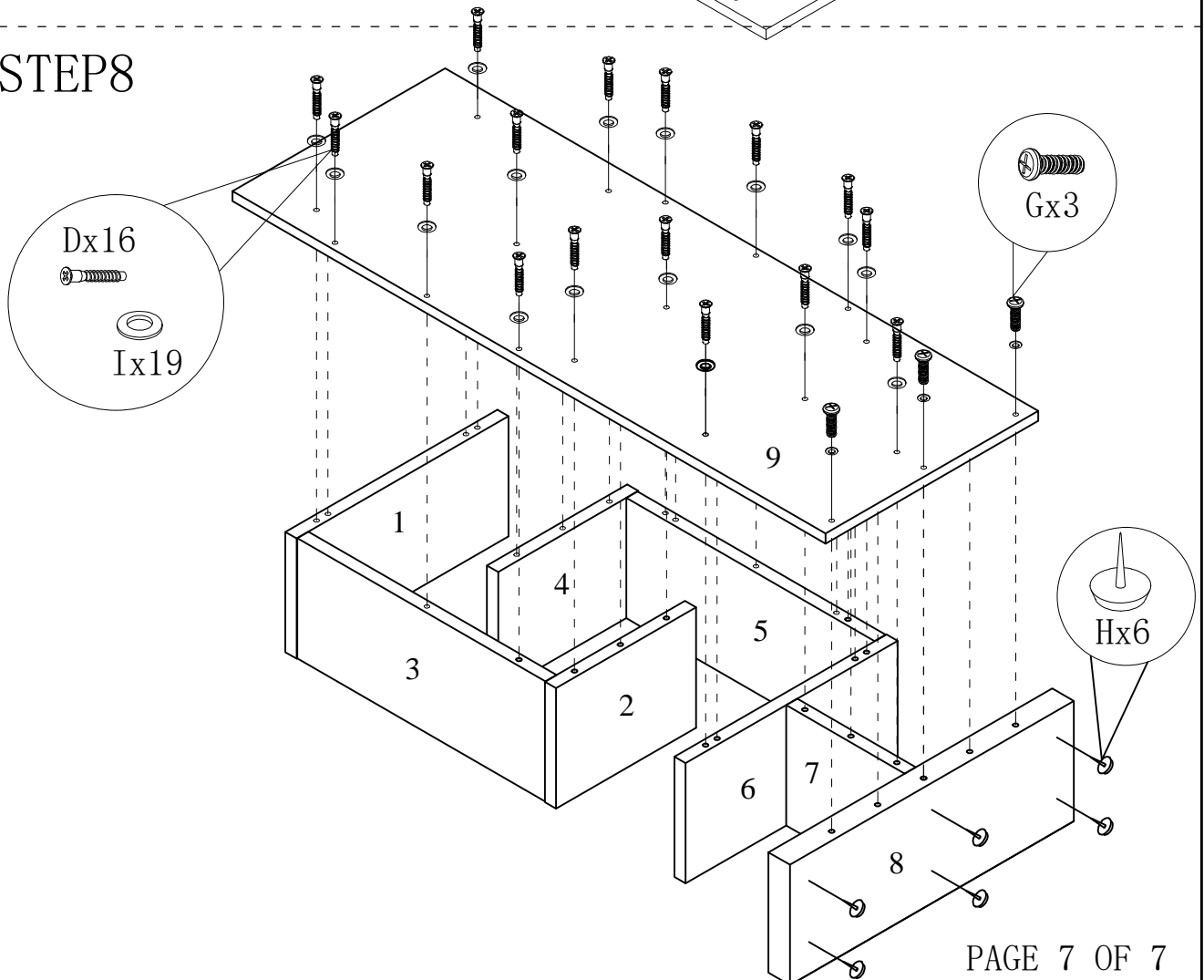
ASSEMBLY INSTRUCTION

ITEM#: 151263



STEP 7

STEP 8



ANTI-TIPPING STRAP INSTRUCTION

HARDWARE (INCLUDED) :

 DRYWALL ANCHOR $\phi 8 \times 40$ X 1PC

 METAL BRACKETS $12 \times 12 \times 1$ X 2PCS


 DRYWALL SCREW $\phi 5 \times 40$ X 1PC

 STRAP $197 \times 5 \times 1$ X 1PC

 FLATHEAD SCREW $\phi 4 \times 25$ X 1PC

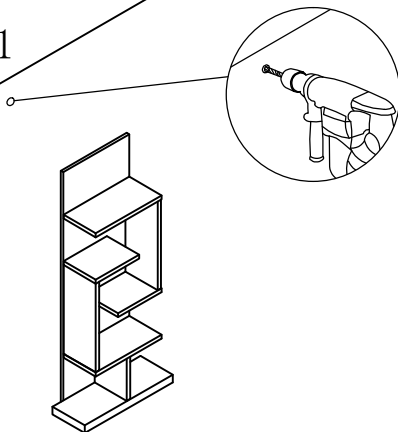
TOOLS NEEDED (NOT INCLUDED) :

 DRILL & DRILL BIT

 LIGHT HAMMER

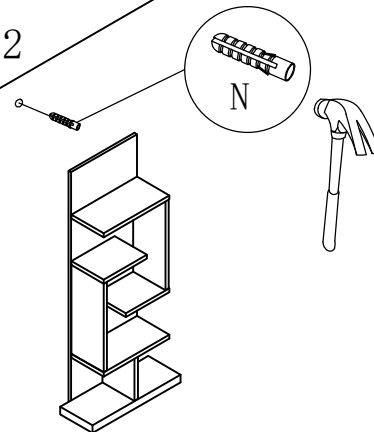
Note: Hardware included only compatible with standard drywalls.

STEP 1



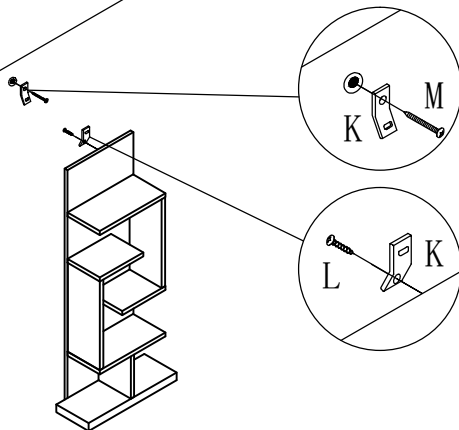
1. Find spot on wall 1" below top of item.
2. Using a drill bit slightly thinner than anchor, drill hole into drywall.

STEP 2



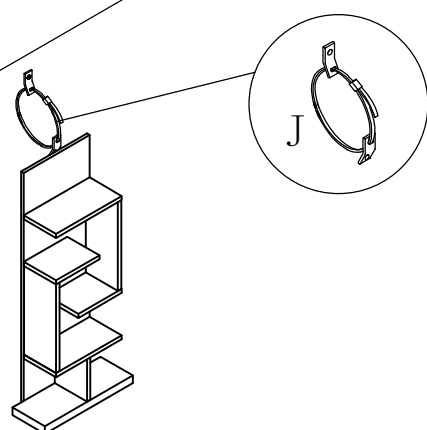
1. Use a light hammer to tap anchor into hole.
2. Anchor should fit snugly. If hole is too small, drill again to increase hole size. Do not force anchor into wall.

STEP 3



1. Insert drywall screw into metal bracket and into drywall anchor.
2. Insert flathead screw into second metal bracket and into back of item, along top edge.

STEP 4



1. Insert strap thru bracket attached to wall, then thru bracket on item, and into head of strap.
 2. pull lightly til strap stops.
- Assembly is complete.